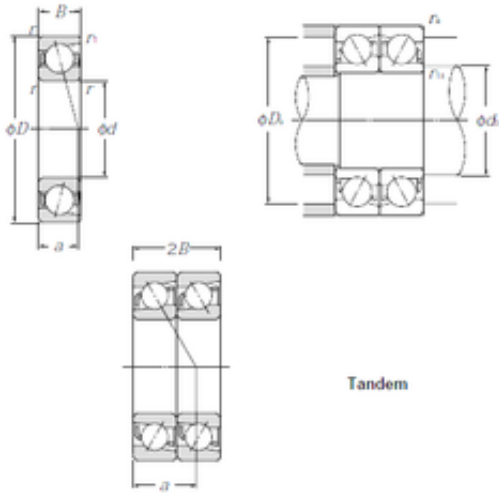


NTN 7314DT angular contact ball bearings

Bearing No. 7314DT



7314DT Bearing 2D drawings and 3D CAD models

Size	70x150x35 mm
Bore Diameter	70 mm
Outer Diameter	150 mm
Width	35 mm
d	70 mm
D	150 mm
B	35 mm
ra1 max.	1 mm
Angle (°)	25 °
a	49,5 mm
r min.	2,1 mm
r1 min.	1,1 mm
2B	70 mm
da min.	82 mm
Da max.	138 mm
db min	77 mm
ra max.	2 mm
Db max	143 mm
Weight	5,12 Kg
Basic dynamic load rating (C)	203 kN
Basic static load rating (C0)	187 kN
(Grease) Lubrication Speed	4 100 r/min