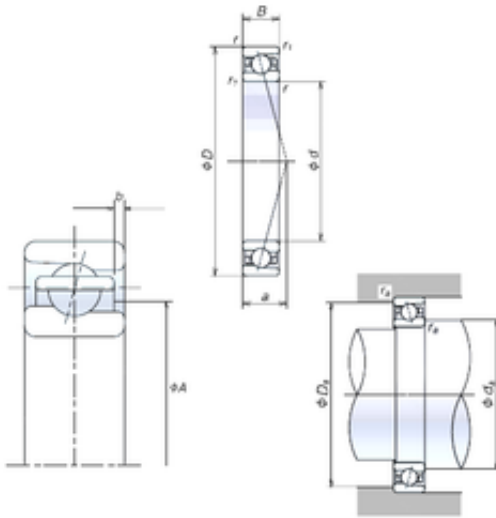




LEA?Roller Industry Co.,Ltd

NSK 110BNR10X angular contact ball bearings

Bearing No. 110BNR10X



110BNR10X Bearing 2D drawings and 3D CAD models

Size	110x170x28 mm
Bore Diameter	110 mm
Outer Diameter	170 mm
Width	28 mm
d	110 mm
D	170 mm
B	28 mm
C	28 mm
Angle (°)	18 °
a	36,7 mm
b	1,7 mm
r min.	2 mm
r1 min.	1 mm
A	132,5 mm
da min.	120 mm
Da max.	160 mm
ra max.	2 mm
Weight	1,996 Kg
Basic dynamic load rating (C)	46 kN
Basic static load rating (C0)	47 kN
(Grease) Lubrication Speed	15000 r/min