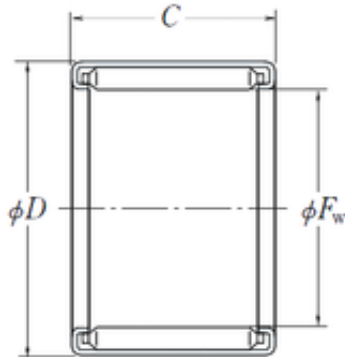


NSK F-2520 needle roller bearings



Bearing No. F-2520

| | |
|-------------------------------|-------------|
| Size | 25x32x20 mm |
| Bore Diameter | 25 mm |
| Outer Diameter | 32 mm |
| Width | 20 mm |
| Fw | 25 mm |
| D | 32 mm |
| C | 20 mm |
| Weight | 0,04 Kg |
| Basic dynamic load rating (C) | 25,9 kN |
| (Grease) Lubrication Speed | 2800 r/min |
| NB-DI | 0 |
| NA-DEX | 30.439 |
| hidYobi | F-2520 |
| LangID | 1 |
| D_ | 32 |
| NC-SLR | 18.03 |
| B_ | 20.5 |
| n_yobi | FIR-202520 |
| hidTable | ecat_NSDCNR |
| mass_k | 40 |
| d1 | 20 |
| GRS rpm | 2800 |
| ra | 0.3 |
| NC-SLR1 | 0 |
| C0 | 50.911 |
| C1 | 20 |

F-2520 Bearing 2D drawings and 3D CAD models



LEA?Roller Industry Co.,Ltd

| Prod_Type3 | NRB_DC_F-MF_FC_OT |
|------------|-------------------|
| da | 22 |
| d | 20 |
| NC-RAC | 0 |
| Pmax | 22200 |
| N-SDM | 0 |
| yobi | F-2520 |
| C1_C2 | 2.5 |
| ND-Z | 0 |
| OIL rpm | 4500 |
| NC-DA | 2.713 |
| N-KBRG | 8200 |
| NC-KMS | 32 |
| B1 | 20.5 |