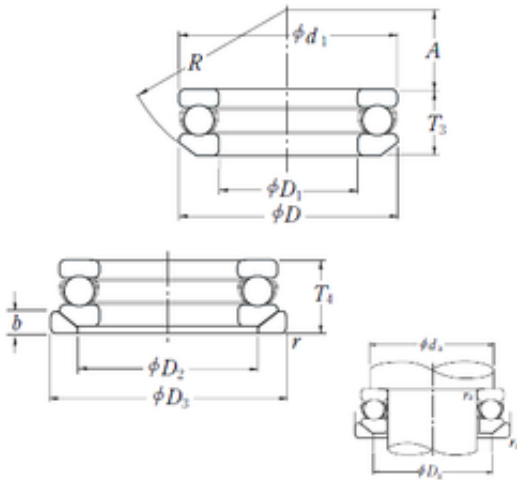


NSK 53422XU thrust ball bearings

Bearing No. 53422XU



53422XU Bearing 2D drawings and 3D CAD models

Size	110x230x109 mm
Bore Diameter	110 mm
Outer Diameter	230 mm
Width	109 mm
d	110 mm
D	230 mm
T	109 mm
b	29 mm
d1	225 mm
r min.	3 mm
A	59 mm
D1	113 mm
D2	170 mm
D3	240 mm
R	180 mm
da min.	181 mm
Da max.	159 mm
ra max.	2,5 mm
Weight	24,3 Kg
Basic dynamic load rating (C)	415 kN
Basic static load rating (C0)	1150 kN
(Grease) Lubrication Speed	630 r/min
SRI	22.3
hidYobi	53422XU
LangID	1
D_	230



LEA?Roller Industry Co.,Ltd

SREX	0.16
C	415
B_	109
hidTable	ecat_NSSDTB
Oil rpm	950
SRE	22.3
mass	24.3
GRS rpm	630
ra	2.5
SRIX	0.16
T4	109
D_3	240
D_a	159
SRIN	0
C0	1150
D_2	170
SREN	0
D_1	113
Prod_Type3	TB_SD_WASW
da	181
DA_	41.275
Z_	11
yobi	53422XU
A_	59
T3	99.7
SDM_	170
r	3
KBRG	513
R_	180