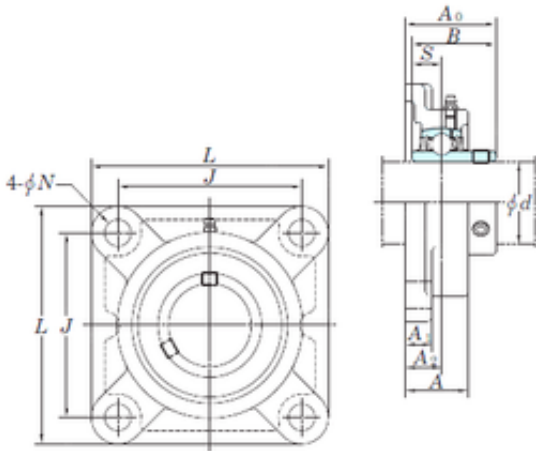


KOYO UCF215 bearing units



Bearing No. UCF215

Bore Diameter	75 mm
d	75 mm
A0	78,5 mm
A	56 mm
A1	22 mm
B	77,8 mm
J	159 mm
L	200 mm
N	19 mm
S	33,3 mm
Bolt (G)	M16
A2	34 mm
Weight	6,4 Kg
Basic dynamic load rating (C)	67,4 kN
Basic static load rating (C0)	48,3 kN
Bearing No.	UCF215
Bolt size	M16
Cr	67.4
C0r	48.3
f0	14.5
(Refer.)Unit mass(kg)	6.4
Nipple size	R1/8

UCF215 Bearing 2D drawings and 3D CAD models